

Hitachi Nico Transmission Co., Ltd.

Model MGN Series (Vertical Offset Type)

Dimensional Data

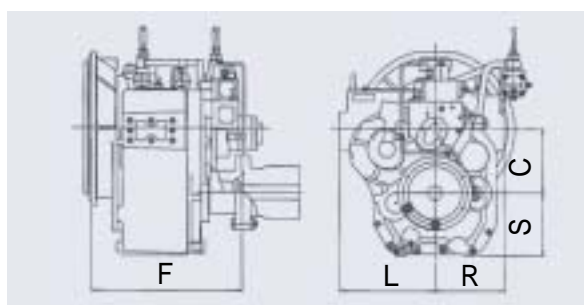


Fig. B

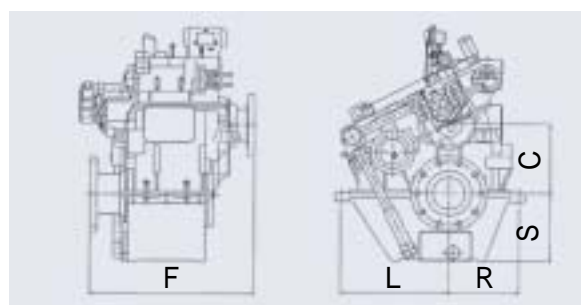


Fig. C

Model	SAE Hsg.	Fig.	F:	L:mtg.	R:mtg.	C:	S:	Mass (approx.dry) kg
			length mm	pad mm	pad mm	offset mm	sump mm	
MGN 10	5	B	238	---	---	92	105	50
MGN 10L	5	B	233	---	---	127	133	56
MGN 30	2	B	267.5	170	170	133.5	149.5	110
	3	B	270	170	170	133.5	149.5	100
MGN 35	2	B	290	200	170	142.5	155.5	129
	3	B	315	200	170	142.5	155.5	124
MGN 40E	2	B	322.5	245	175	150.8	161.2	169
	3	B	347.5	245	175	150.8	161	164
MGN 41L	1, 2	B	377	237	237	214	226	225
MGN 46E	1, 2, 3	B	351.5	243	183	179	171	176
MGN 46BL	1, 2, 3	B	377	237	237	214	226	236
MGN 47BL	1, 2, 3	B	417	301	301	275	283	365
MGN 56BL	0, 1	B	455	277	277	258	257	480
	2	B	455	277	277	258	257	460
MGN 56GL	0, 1	B	455	277	277	258	257	382
	2	B	476	277	277	258	257	372
MGN 57BL	0, 1	B	455	345	345	327.5	326.5	465
	2	B	476	345	345	327.5	326.5	455
MGN 58EL	0, 1	B	449	405	405	380	390	575
	2	B	470	405	405	380	390	565
MGN 76E	0, 1	B	521	330	240	227	218	372
MGN 76L	0	B	564	330	330	319	308	564
	1	B	543	330	330	319	308	554
MGN 80B	0, 1	B	521	310	220	232	218	425
MGN 80E	0, 1	B	521.5	345	260	254	241	450
MGN 80EL	0, 1	B	544	330	330	319	308	700
MGN 81GL	0, 1	B	532	440	440	415	415	760
MGN 86E	0, 1	B	610	375	330	285	268	600
MGN 86EL	0, 1	B	605	360	360	358	342	800
MGN 87EL	0	B	660	440	440	415	417	983
MGN 90	0, 1	B	637	375	330	285	268	740
MGN 90BL	0	B	645	360	360	358	342	860
MGN 91BL	0	B	690	440	440	415	417	1220
MGN 724BV	00	B	874	450	450	330	384	1700
MGN 726BV	00	B	874	460	460	430	435	1800
MGN 727BV	00	B	874	550	550	505	535	2000
MGN 1024CV	00	B	995	570	570	560	560	2400
MGN 1026CV	00	B	995	510	510	490	490	2200
MGN 1027CV	00	B	995	500	500	380	412	2000
MGN 1224V	00	C	990	550	550	365	400	2300
MGN 1226V	00	C	990	575	575	490	530	2900
MGN 1227V	00	C	990	700	700	600	650	3400

- Comments • Dimensions may vary with housing adapter or output flange size.
 • Dry mass is approximate and does not include companion flange.
 • Specifications subject to change.

Hitachi Nico Transmission Co., Ltd.

Model MGN Series (Vertical Offset Type)

Dimensional Data

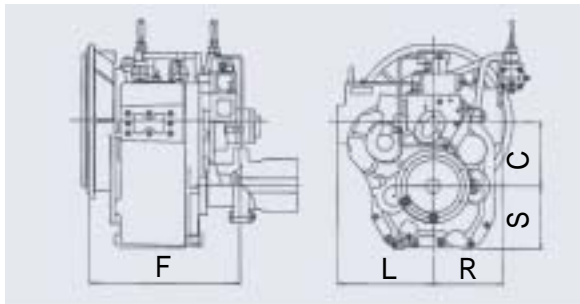


Fig. B

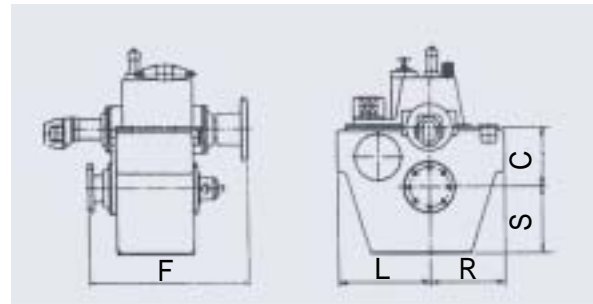


Fig. D

Model	SAE Hsg.	Fig.	F:	L:mtg.	R:mtg.	C:	S:	Mass (approx.dry) kg
			length mm	pad mm	pad mm	offset mm	sump mm	
MGN 123	1, 2	B	350	243	183	179	169	154
	3	B	360	243	183	179	169	150
MGN 133-A	0	B	415	290	210	211	195	220
	1	B	415	290	210	211	195	214
	2	B	576	290	210	211	195	204
MGN 153	0, 1	B	415	290	210	211	195	220
	2	B	436	290	210	211	195	210
MGN 173	0, 1	B	521	330	240	227	218	270
MGN 253	1	B	541	305	305	200	200	315
MGN 293B	0, 1	B	592	340	340	220	235	460
MGN 294B	0, 1	B	602.5	360	360	310	275	580
MGN 335E	0	B	784	375	375	360	380	794
MGN 353B	0	B	698	340	340	235	235	560
MGN 433E	00, 0	B	745	440	440	310	315	720
	1	B	745	440	440	310	315	710
MGN 433G	0, 1	B	760	440	440	310	315	954
MGN 453A	00, 0	B	754	445	445	310	313	1030
MGN 493A	00, 0	B	936	500	500	340	335	1240
MGN 532	00	B	1082	550	410	380	320	1150
	---	D	900	550	410	380	320	1100
MGN 533	---	D	900	600	530	440	420	1450
MGN 632	---	D	960	600	520	420	400	1670
MGN 633	---	D	970	640	640	540	520	2150
MGN 732	---	D	1000	700	540	460	450	1800
MGN 733	---	D	1010	700	700	590	580	2600
MGN 832	---	D	1100	750	570	500	450	2630

Comments • Dimensions may vary with housing adapter or output flange size.

• Dry mass is approximate and does not include companion flange.

• Specifications subject to change.

Hitachi Nico Transmission Co., Ltd.

Model MGNV Series (Down Angle Type)

Dimensional Data

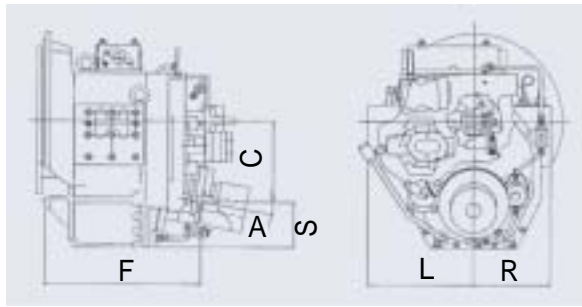


Fig. E

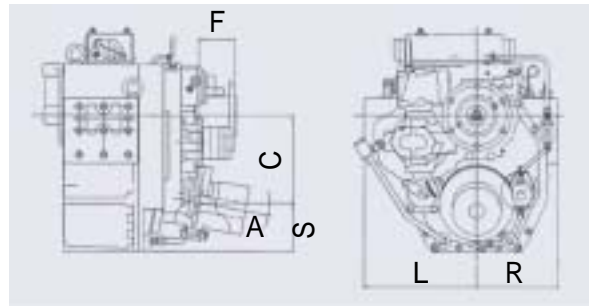


Fig. F

Model	SAE Hsg.	Fig.	F:	L:mtg.	R:mtg.	C:	S:	A:	Mass (approx.dry) kg
			length mm	pad mm	pad mm	offset mm	sump mm	deg.	
MGNV 123	3	E	356.1	270	220	224.9	130.1	10	180
MGNV 133	1	E	409	290	210	240	135	10	225
MGNV 172E	0, 1	E	485.5	330	240	256.5	143.5	10	300
MGNV 172EC	---	F	114	330	240	256.5	143.5	10	290
MGNV 253	1	E	538.2	305	305	276.4	163.6	10	325
MGNV 253C	---	F	160.6	305	305	276.4	163.6	10	295
MGNV 293B	0, 1	E	574	340	340	297.3	158.7	10	460
MGNV 293BC	---	F	202	340	340	297.3	158.1	10	450
MGNV 353B	0	E	653	340	340	315.9	184.1	10	565
MGNV 353BC	---	F	167	340	340	315.9	184.1	10	545
MGNV 453A	00, 0	E	746.8	445	445	381.5	241.5	10	1080
MGNV 453AC	---	F	300.2	445	445	381.5	241.5	10	910
MGNV 493A	00, 0	E	949.9	500	500	445.2	266.8	10	1295
MGNV 493AC	---	F	288.1	500	500	445.2	266.8	10	1125

Comments • Dimensions may vary with housing adapter or output flange size.

• Dry mass is approximate and does not include companion flange.

• Specifications subject to change.