

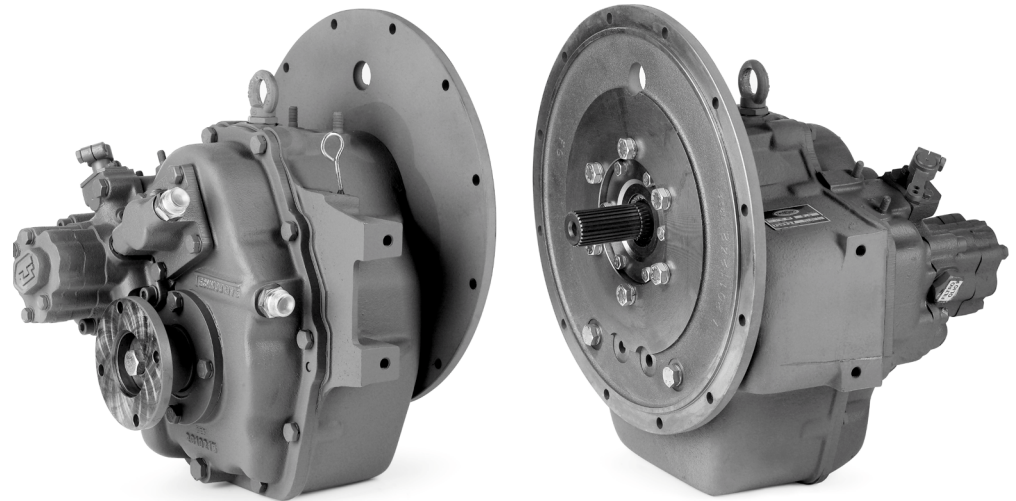
Maximum 257 kW (345 hp) @3600 RPM (PLEASURE CRAFT)

STANDARD EQUIPMENT**MG-5020SC**

Vertical offset, cast iron housing

Mechanical control valve

Oil strainer

**INPUT RATINGS - KILOWATS (KW) (HORSEPOWER (HP))***For service classification definitions and important notes refer to www.twindisc.com, the Twin Disc Marine Product Guide or contact Twin Disc directly.

Reduction Ratios :1	Pleasure Craft		Intermediate Duty		Continuous Duty	
	@ 2800 RPM	@ 3600 RPM	@ 2500 RPM	@ 3200 RPM	@ 2300 RPM	@ 2500 RPM
1.50, 2.04	220 kW (295 hp)	257 kW (345 hp)	159 kW (213 hp)	204 kW (274 hp)	133 kW (178 hp)	144 kW (193 hp)
2.50	176 kW (236 hp)	221 kW (296 hp)	128 kW (172 hp)	164 kW (220 hp)	106 kW (142 hp)	115 kW (154 hp)
2.94	150 kW (201 hp)	193 kW (259 hp)	110 kW (148 hp)	141 kW (189 hp)	92 kW (123 hp)	100 kW (134 hp)

* Ratings shown for use with standard right-hand rotation engines.
The maximum allowable rated engine speed is 4000 rpm.



Specifications subject to change without prior notice in the interest of continual product improvement.
Contact your local Twin Disc representative for engineering specifications, Survey Society Approvals
and Classifications.

Scan QR code to see Twin Disc's entire Marine product line.



OPTIONS

SAE J617 housing no. 3

SAE J617 housing no. 4

Borg Warner housing

Flexible coupling for 11 1/2" flywheel (SAE J620 size 290)

Electric control valve (12VDC or 24 VDC)

Control cable bracket

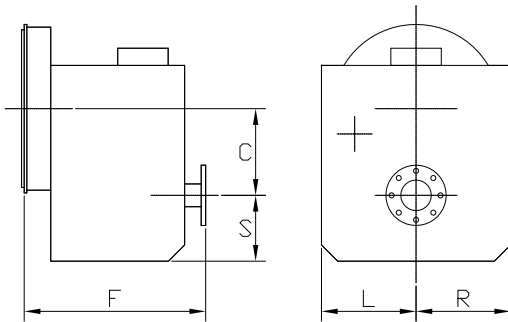
Mechanical trolling valve

Oil cooler

Companion flange

Dry weight with standard equipment: **75 kg**

MG-5020SC



C	132 mm (5.18")
S	131 mm (5.17")
F	268 mm (10.53")
L	193 mm (7.60")
R	193 mm (7.60")

For nearly a century, we've been making boats perform better and more reliably. From system-design consultation to application development to in-service support, Twin Disc provides fully integrated propulsion solutions that will optimize your craft's performance, reliability and safety over the years. Bring Twin Disc aboard early in the development process, and you'll enjoy a lifetime of enhanced operating value.

TRANSMISSIONS • ELECTRONIC CONTROLS • EXPRESS JOYSTICK SYSTEM® • SAILDRIVES • EXPRESS POSITIONING® • ARNESON SURFACE DRIVES • MARINE CONTROL DRIVES • ROLLA PROPELLERS • BOW & STERN THRUSTERS • STEERING SYSTEMS • RUDDERS • TRIM TABS



Twin Disc, Incorporated
Racine, Wisconsin 53403 USA
Phone +1-262-638-4000
Fax +1-262-638-4482
www.twindisc.com

Twin Disc, Incorporated reminds users of these products that their safe operation depends on use in compliance with engineering information provided in our catalog. Users are also reminded that safe operation depends on proper installation, operation and routine maintenance and inspection under prevailing conditions. It is the responsibility of users (and not Twin Disc, Incorporated) to provide and install guards or safety devices which may be required by recognized safety standards or by the Occupational Safety and Health Act of 1970 and its subsequent provisions.

United States of America • Australia • Belgium • Canada • China • India • Italy • Singapore • Switzerland

TD-Bulletin-MG-5020SC
© 2016, Twin Disc, Incorporated
Printed in the USA - 1/2016